

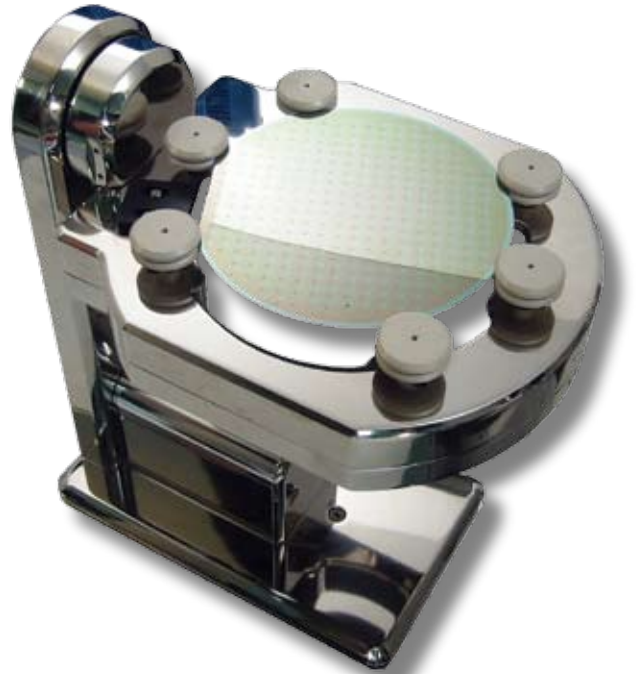
# Edge Gripper

## Aligner and Inspection Module

**New Technology to Meet New Requirements**

The Ludl Electronic Products Edge Gripper module provides precision wafer handling and alignment for wafers with exclusion requirements. The Edge Gripper module has strictly edge only contact to perform inspection, alignment and wafer flipping operations.

The Edge Gripper module utilizes six specially designed capstans to contact the wafer at tangential points around the wafer edge. The capstans spin in unison and provide both the wafer grip as well as the drive for rotation and alignment of the wafer. Wafer grip is accomplished utilizing a mechanism where the capstans can be precisely controlled to contact the edge of the wafer. This design also provides for automatic wafer centering and easy alignment.



- **Edge contact**
- **Wafer flipping**
- **Programmable flat or notch orientation**
- **Backside inspection modes**
- **Wafer diameters up to 200mm**

Optical sensors provide precise feedback for notch or flat alignment and wafer presence sensing.

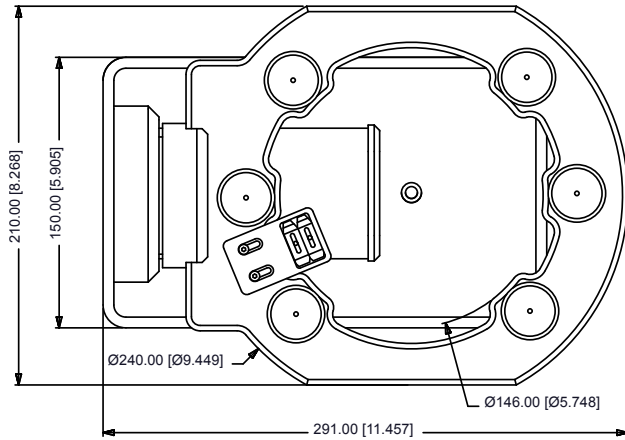
Flexibility and controllability make this module very easy integrate yet also make it very programmable. Each of the three motor axes is independently controllable with simple software commands allowing for easy integration, operator inspection, machine inspection, wafer ID reading or wafer flipping and handling from either side.

The Edge Gripper module integrates with LEP wafer handler system family of components.

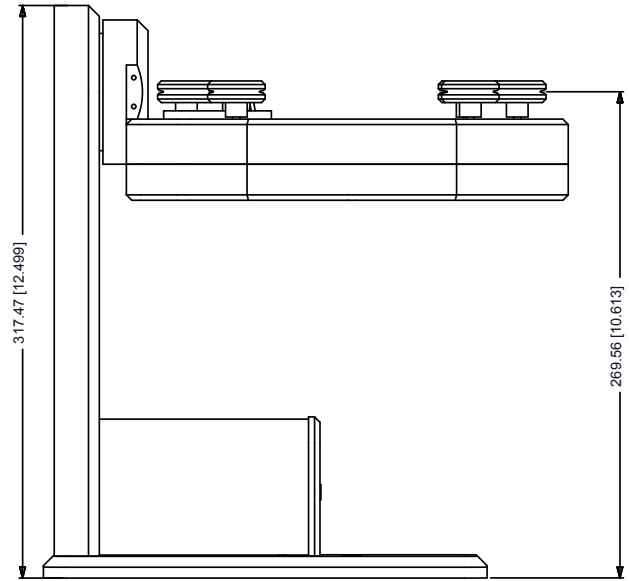
Utilizing the LEP wafer handling components the Edge Gripper module can be integrated into a complete inspection system or sub-system to meet any requirements.

## Specifications

The Edge Gripper module is complete with embedded motor drivers and controls. Connections include +24vDC and RS-485. Rotation angle is programmable with adjustable limits for reference. Optical sensors detect wafer presence and alignment for notch or flat. The Edge Gripper module is wafer diameter specific. Please contact Ludl Electronic Products for more detailed information.



*Dimensions shown are for the 150mm version, p/n 99A346. Other versions are available, please contact LEP for more information.*



## About Ludl Electronic Products Ltd.

Ludl Electronic Products has been designing and manufacturing precision automation components for more than 30 years. Well known for high quality, high precision automation components, Ludl Electronic Products strives to be a leader in providing the best solutions with clean, straightforward designs and products. High performance, low profile stages for microscope and metrology system applications are among the most well known products from Ludl Electronic Products. All stages feature stainless steel crossed roller guide bearings, precision ground ballscrews and MIL-SPEC anodized surfaces. Options include open-loop, rotary encoders, linear encoders, grid encoders with either stepper motor or DC servo motor drive. High accuracy stages are available to suit almost any application from 200mm microscopes for wafer inspection to large format stages with 500mm travel range.

Reliability and satisfaction are essential elements of the Ludl Electronic Products quality formula. This is directly reflected in the products, support and customer service.



**Ludl Electronic Products Ltd.**

171 Brady Avenue  
Hawthorne, NY 10532  
USA

(888) 769-6111 • [www.ludlsemi.com](http://www.ludlsemi.com) • [sales@ludl.com](mailto:sales@ludl.com)

Copyright 2008, Ludl Electronic Products Ltd.

Specifications and content of this material subject to change without notice